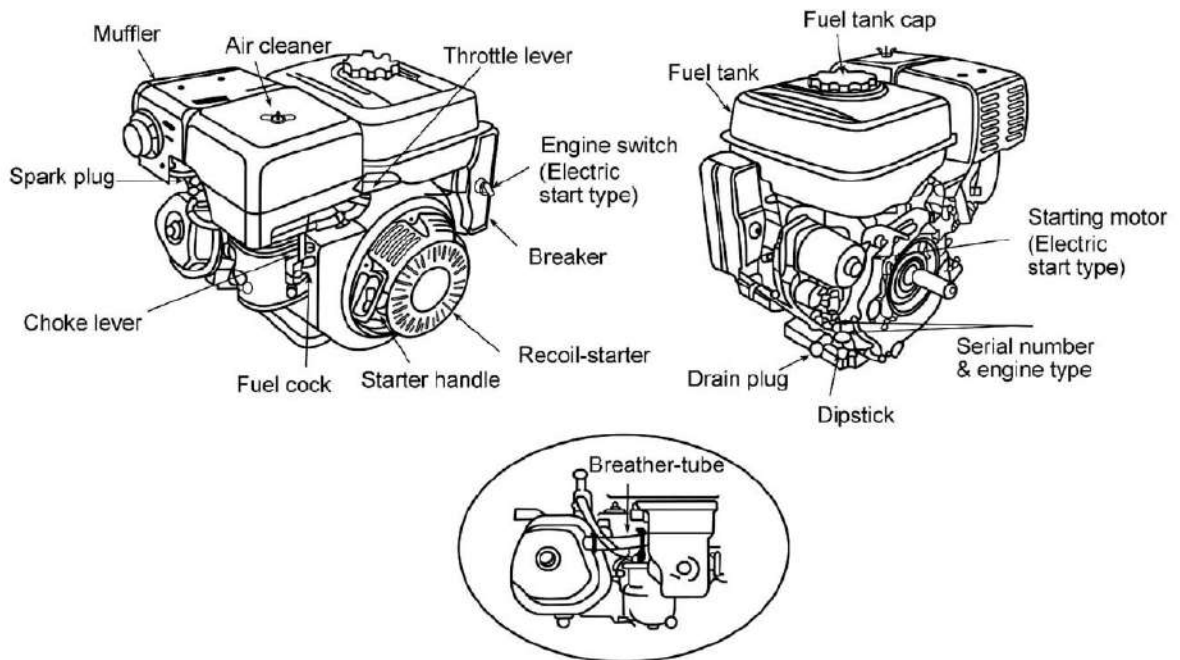




HYUNDAI

2-2. Parts Description





HYUNDAI

2. SPECIFICATIONS AND PARTS DESCRIPTION

2-1. Specifications

Model	IC190	IC200	IC210	IC225	IC242	IC270	IC337	IC390	IC460	
Type	Single-cylinder, 4-stroke, OHV, air-cooling gasoline									
Displacement cc.	87	163	196	208	242	270	337	389	459	
Bore x Stroke mm	54×38	68×45	68×54	70×54	73×58	77×58	82×64	88×64	92×69	
Compress ratio	7.8:1	8.5:1	8.5:1	8.5:1	8.2:1	8.2:1	8.0:1	8.0:1	8.3:1	
Speed rpm	3000									
Continuous Output kW/hp	1.65/2.2	3.17/4.3	3.66/5.0	4.0/5.5	4.6/6.3	5.29/7.2	6.3/8.6	9.56/13	11.02/17.5	
Max.torque N.m/rpm	5/3000	10/3000	11/3000	12/3000	14.5/3000	16.5/3000	20/3000	22.5/3000	24.5/3000	
PTO direction	Counter-clockwise(view to PTO side)									
Strating system	Recoil	Recoil/Electric								
Ignition system	T.C.I.(Transistorized magneto ignition)									
Lub.Oil capacity L	0.4	0.6			1.1		1.1			
Fuel tank capacity L	1.7	3.6			6					
Dimensions (L×W×H) mm	286×305×285	315×362×335			380×430×410		405×450×435			
Dry weight kg	10	14	16	16	25	25	31	31	31	